



Kitchen-Aire
Transforming the Ordinary to the Extraordinary

Product Specification Guide

Table of Contents

1. Chimney Hoods

Classic Chimney	4
Roman Valance Chimney	5
Cape Cod Chimney	6
Contoured Chimney	7
Aristocrat Chimney	8
Monarch Chimney	9
Renaissance Chimney	10
Tuscan Chimney	11
Arched Valance Tuscan Chimney	12

2. Island Chimney Hoods

Classic Chimney - Island	14
Roman Valance Chimney - Island	15
Contoured Chimney - Island	16
Aristocrat Chimney - Island	17
Monarch Chimney - Island	18
Renaissance Chimney - Island	19
Tuscan Chimney - Island	20

3. Mantel Hoods

Majestic Mantel	22
Arched Front Majestic Mantel	23
Old World Mantel	24
Regal Mantel	25
Windsor Mantel	26
Arched Front Windsor Mantel	27
Mantel Hood Pillars	28

4. Hood Fronts

Classic Hood Front	30
Valance Hood Front	30
Canopy Hood Front	30
Arched Valance Canopy Hood Front	31

5. Ventilation

Kitchen Aire HVC 212 CFM Vent - Starmist	33
Kitchen Aire HVC Ductless Conversion Kit	33
Kitchen Aire HVD 410 CFM Vent - Starmist	33
Kitchen Aire HVD Ductless Conversion Kit	33
Kitchen Aire HVE 620 CFM Vent - Starmist	34
Square Liner - Starmist Finish	34
Island Square Liner - Starmist Finish	35
T-Shape Liner - Starmist Finish	35

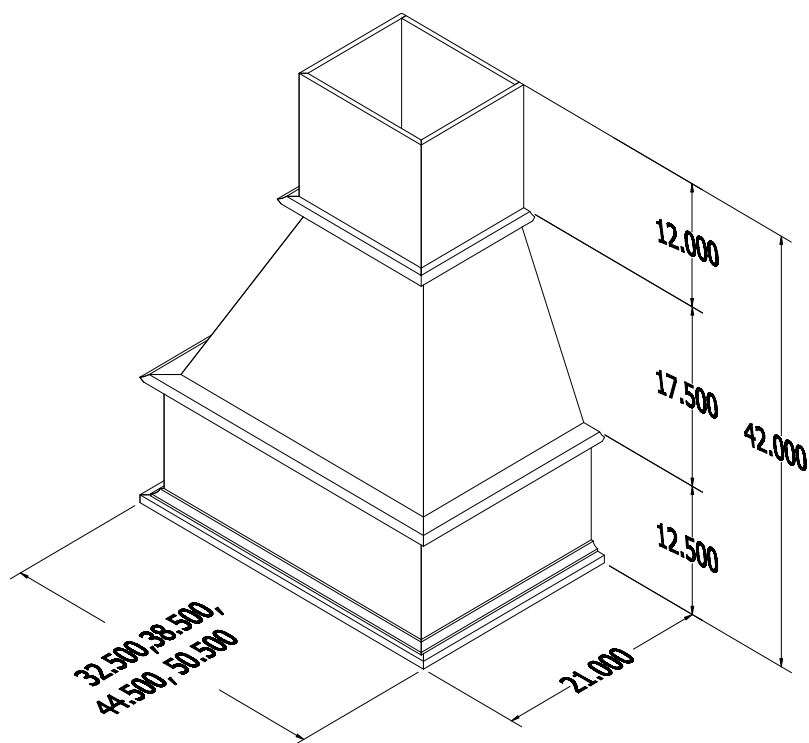
- All hoods are available unfinished.
- Our wood hoods are constructed of solid hardwoods and plywood, and are available in a variety of species/sizes.
- We have a variety of different Kitchen-Aire ventilation systems and liners available for purchase. Please see the Ventilation Units and Liners section for details.
- Custom sizes, configurations or wood species available based on minimum order quantities. Please Inquire.
- Most hood lead times are 10-15 working days depending on style.

Chimney Hood Collection

Classic Chimney Hood

The Classic Chimney Hood is designed to accommodate ceilings up to 9' high where a more contemporary look should be maintained to blend with the remaining features of the room décor.

Our removable chimney may be trimmed to fit desired height.

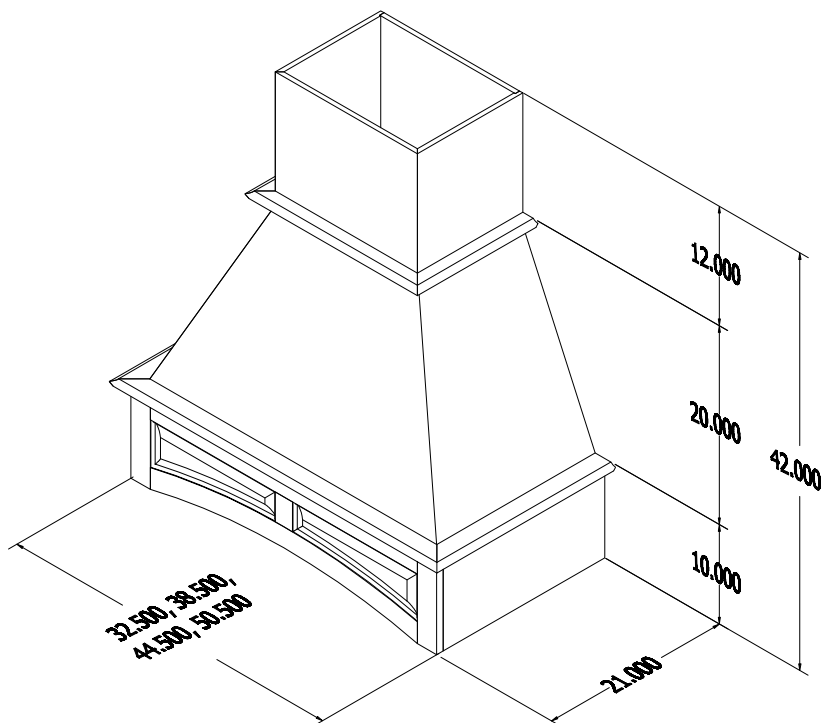


Part Number	Description	Accepts Liner Part Number
3-172-12-0001	30" Classic Chimney Hood - Hard Maple	3-223-35-0001
3-172-03-0001	30" Classic Chimney Hood - Cherry	3-223-35-0001
3-172-01-0001	30" Classic Chimney Hood - Red Oak	3-223-35-0001
3-172-12-0002	36" Classic Chimney Hood - Hard Maple	3-223-35-0002
3-172-03-0002	36" Classic Chimney Hood - Cherry	3-223-35-0002
3-172-01-0002	36" Classic Chimney Hood - Red Oak	3-223-35-0002
3-172-12-0003	42" Classic Chimney Hood - Hard Maple	3-223-35-0003
3-172-03-0003	42" Classic Chimney Hood - Cherry	3-223-35-0003
3-172-01-0003	42" Classic Chimney Hood - Red Oak	3-223-35-0003
3-172-12-0004	48" Classic Chimney Hood - Hard Maple	3-223-35-0004
3-172-03-0004	48" Classic Chimney Hood - Cherry	3-223-35-0004
3-172-01-0004	48" Classic Chimney Hood - Red Oak	3-223-35-0004

Roman Valance Chimney Hood

When room trim follows the classic Roman design, this chimney hood will blend perfectly and compliment the other design features of the room.

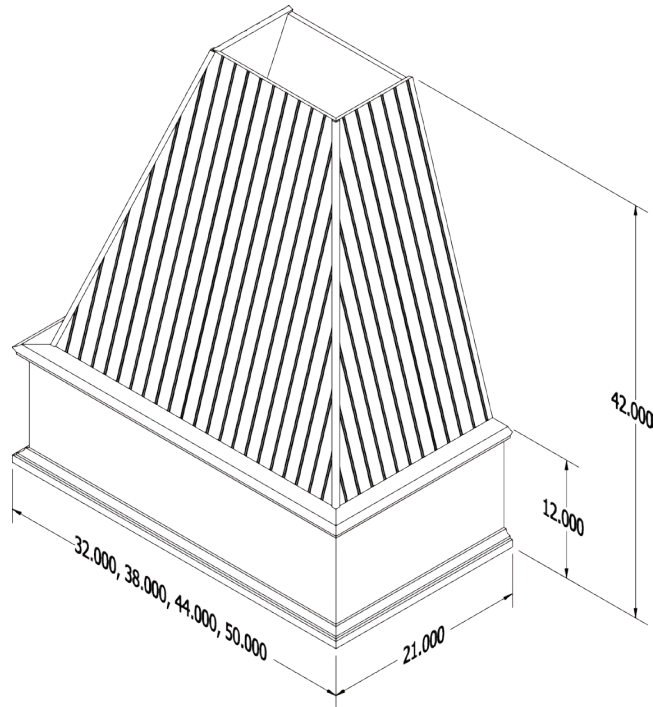
Our removable chimney may be trimmed to fit desired height.



Part Number	Description	Accepts Liner Part Number
3-172-12-0005	30" Roman Valance Chimney Hood - Hard Maple	3-223-35-0001
3-172-03-0005	30" Roman Valance Chimney Hood - Cherry	3-223-35-0001
3-172-01-0005	30" Roman Valance Chimney Hood - Red Oak	3-223-35-0001
3-172-12-0006	36" Roman Valance Chimney Hood - Hard Maple	3-223-35-0002
3-172-03-0006	36" Roman Valance Chimney Hood - Cherry	3-223-35-0002
3-172-01-0006	36" Roman Valance Chimney Hood - Red Oak	3-223-35-0002
3-172-12-0007	42" Roman Valance Chimney Hood - Hard Maple	3-223-35-0003
3-172-03-0007	42" Roman Valance Chimney Hood - Cherry	3-223-35-0003
3-172-01-0007	42" Roman Valance Chimney Hood - Red Oak	3-223-35-0003
3-172-12-0008	48" Roman Valance Chimney Hood - Hard Maple	3-223-35-0004
3-172-03-0008	48" Roman Valance Chimney Hood - Cherry	3-223-35-0004
3-172-01-0008	48" Roman Valance Chimney Hood - Red Oak	3-223-35-0004

Cape Cod Straight Chimney Hood

The Cape Cod Straight Chimney is designed to accommodate ceilings up to 9' high and provide a shaker-like alternative to the traditional design.

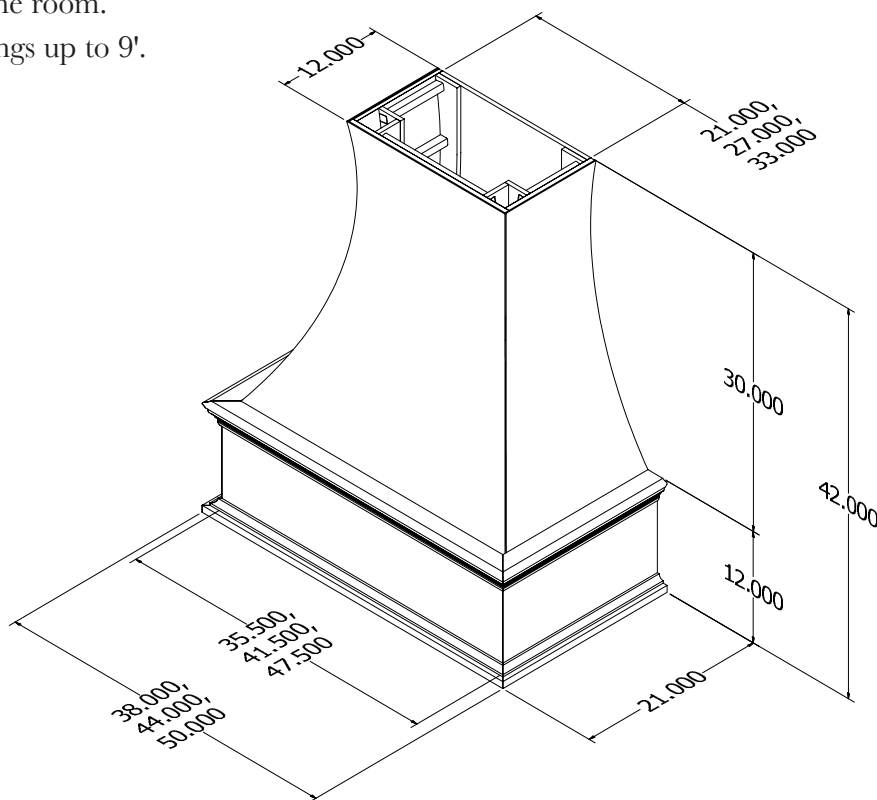


Part Number	Description	Accepts Liner Part Number
3-172-12-0009	30" Cape Cod Straight Chimney Hood- Hard Maple	3-223-35-0001
3-172-03-0009	30" Cape Cod Straight Chimney Hood- Cherry	3-223-35-0001
3-172-01-0009	30" Cape Cod Straight Chimney Hood- Red Oak	3-223-35-0001
3-172-12-0010	36" Cape Cod Straight Chimney Hood- Hard Maple	3-223-35-0002
3-172-03-0010	36" Cape Cod Straight Chimney Hood- Cherry	3-223-35-0002
3-172-01-0010	36" Cape Cod Straight Chimney Hood- Red Oak	3-223-35-0002
3-172-12-0011	42" Cape Cod Straight Chimney Hood- Hard Maple	3-223-35-0003
3-172-03-0011	42" Cape Cod Straight Chimney Hood- Cherry	3-223-35-0003
3-172-01-0011	42" Cape Cod Straight Chimney Hood- Red Oak	3-223-35-0003
3-172-12-0012	48" Cape Cod Straight Chimney Hood- Hard Maple	3-223-35-0004
3-172-03-0012	48" Cape Cod Straight Chimney Hood- Cherry	3-223-35-0004
3-172-01-0012	48" Cape Cod Straight Chimney Hood- Red Oak	3-223-35-0004

Contoured Chimney Hood

Provides a dramatic alternative to the standard chimney hood design where the room décor calls for sweeping lines in the design to compliment other features of the room.

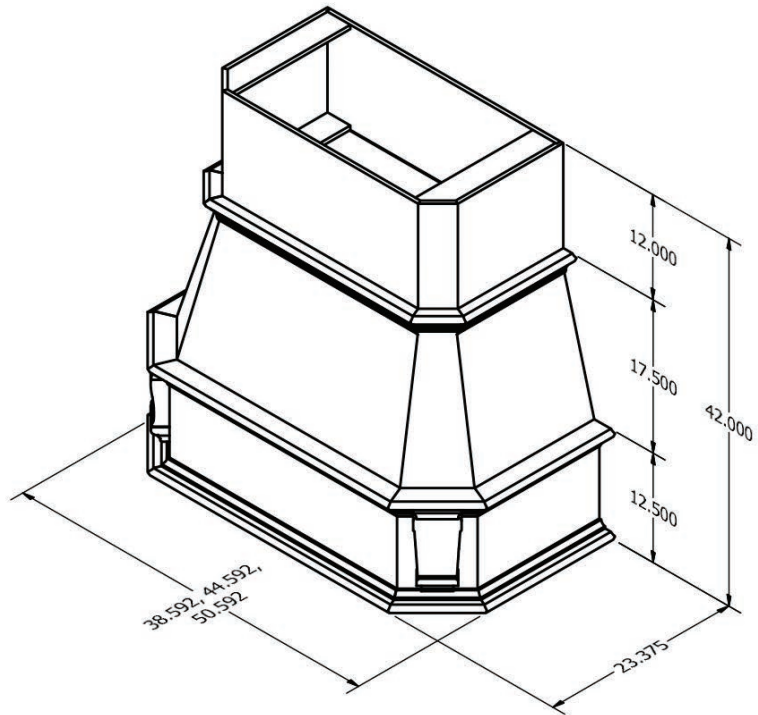
Designed to accommodate ceilings up to 9'.



Part Number	Description	Accepts Liner Part Number
3-172-12-0013	36" Contoured Chimney Hood - Hard Maple	3-223-35-0002
3-172-03-0013	36" Contoured Chimney Hood - Cherry	3-223-35-0002
3-172-01-0013	36" Contoured Chimney Hood - Red Oak	3-223-35-0002
3-172-12-0014	42" Contoured Chimney Hood - Hard Maple	3-223-35-0003
3-172-03-0014	42" Contoured Chimney Hood - Cherry	3-223-35-0003
3-172-01-0014	42" Contoured Chimney Hood - Red Oak	3-223-35-0003
3-172-12-0015	48" Contoured Chimney Hood - Hard Maple	3-223-35-0004
3-172-03-0015	48" Contoured Chimney Hood - Cherry	3-223-35-0004
3-172-01-0015	48" Contoured Chimney Hood - Red Oak	3-223-35-0004

Aristocrat Chimney Hood

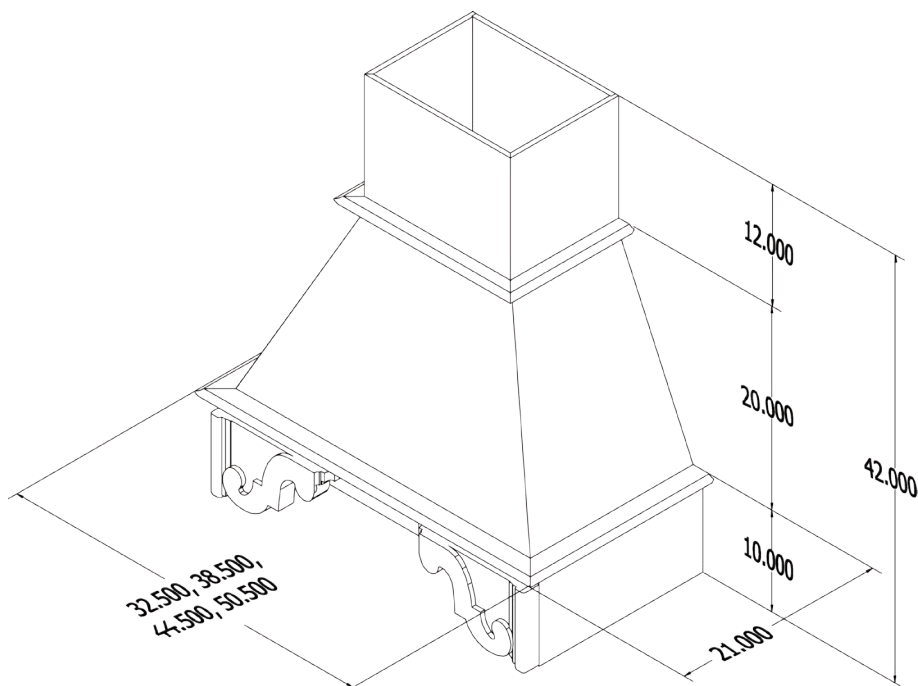
For those seeking that ultimate high-end look, the Aristocrat design provides a statement that is unmistakable and will blend perfectly with the other extraordinary components of the kitchen.



Part Number	Description	Accepts Liner Part Number
3-172-12-0016	36" Aristocrat Chimney Hood - Hard Maple	3-223-35-0001
3-172-03-0016	36" Aristocrat Chimney Hood - Cherry	3-223-35-0001
3-172-01-0016	36" Aristocrat Chimney Hood - Red Oak	3-223-35-0001
3-172-12-0017	42" Aristocrat Chimney Hood - Hard Maple	3-223-35-0002
3-172-03-0017	42" Aristocrat Chimney Hood - Cherry	3-223-35-0002
3-172-01-0017	42" Aristocrat Chimney Hood - Red Oak	3-223-35-0002
3-172-12-0018	48" Aristocrat Chimney Hood - Hard Maple	3-223-35-0003
3-172-03-0018	48" Aristocrat Chimney Hood - Cherry	3-223-35-0003
3-172-01-0018	48" Aristocrat Chimney Hood - Red Oak	3-223-35-0003

For that elegant and stylish look, the Monarch design detail will compliment the discriminating design that exists throughout the rest of the kitchen.

Our removable chimney may be trimmed to fit desired height.

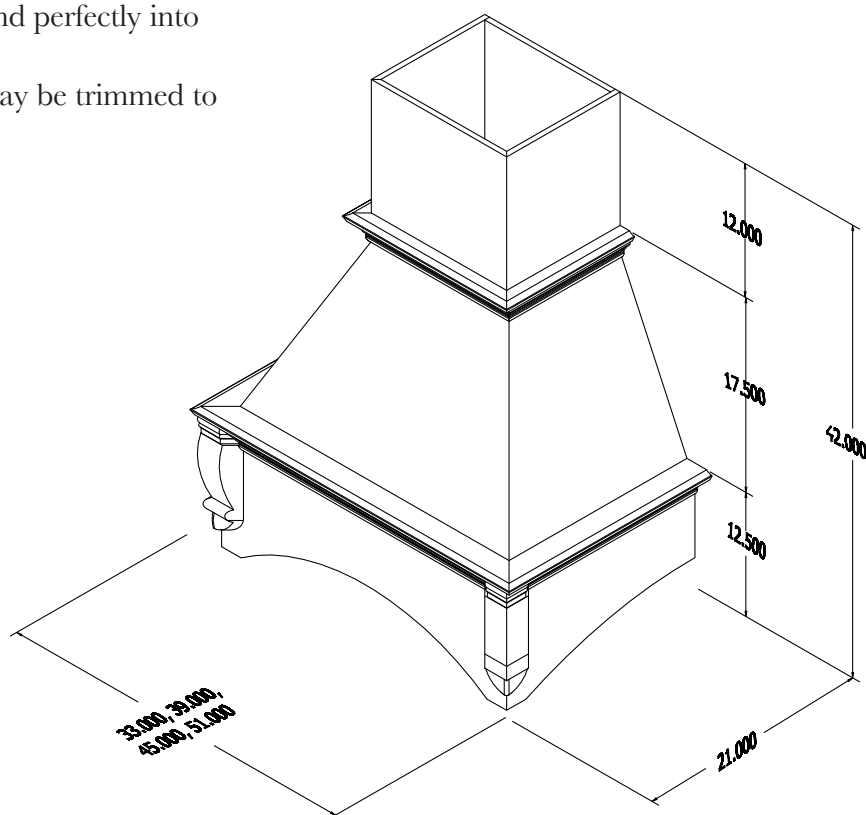


Part Number	Description	Accepts Liner Part Number
3-172-12-0019	30" Monarch Chimney Hood - Hard Maple	3-223-35-0001
3-172-03-0019	30" Monarch Chimney Hood - Cherry	3-223-35-0001
3-172-01-0019	30" Monarch Chimney Hood - Red Oak	3-223-35-0001
3-172-12-0020	36" Monarch Chimney Hood - Hard Maple	3-223-35-0002
3-172-03-0020	36" Monarch Chimney Hood - Cherry	3-223-35-0002
3-172-01-0020	36" Monarch Chimney Hood - Red Oak	3-223-35-0002
3-172-12-0021	42" Monarch Chimney Hood - Hard Maple	3-223-35-0003
3-172-03-0021	42" Monarch Chimney Hood - Cherry	3-223-35-0003
3-172-01-0021	42" Monarch Chimney Hood - Red Oak	3-223-35-0003
3-172-12-0022	48" Monarch Chimney Hood - Hard Maple	3-223-35-0004
3-172-03-0022	48" Monarch Chimney Hood - Cherry	3-223-35-0004
3-172-01-0022	48" Monarch Chimney Hood - Red Oak	3-223-35-0004

Renaissance Chimney Hood

Designed to compliment the home that revives this cultural period of history, the Renaissance hood will blend perfectly into such a décor.

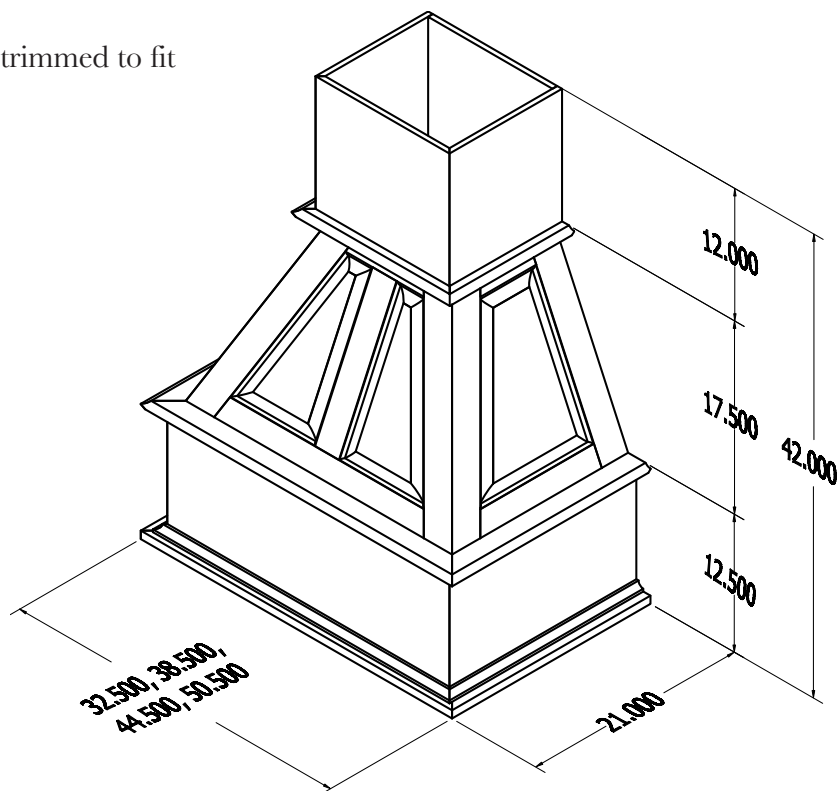
Our removable chimney may be trimmed to fit desired height.



Part Number	Description	Accepts Liner Part Number
3-172-12-0023	30" Renaissance Chimney Hood - Hard Maple	3-223-35-0001
3-172-03-0023	30" Renaissance Chimney Hood - Cherry	3-223-35-0001
3-172-01-0023	30" Renaissance Chimney Hood - Red Oak	3-223-35-0001
3-172-12-0024	36" Renaissance Chimney Hood - Hard Maple	3-223-35-0002
3-172-03-0024	36" Renaissance Chimney Hood - Cherry	3-223-35-0002
3-172-01-0024	36" Renaissance Chimney Hood - Red Oak	3-223-35-0002
3-172-12-0025	42" Renaissance Chimney Hood - Hard Maple	3-223-35-0003
3-172-03-0025	42" Renaissance Chimney Hood - Cherry	3-223-35-0003
3-172-01-0025	42" Renaissance Chimney Hood - Red Oak	3-223-35-0003
3-172-12-0026	48" Renaissance Chimney Hood - Hard Maple	3-223-35-0004
3-172-03-0026	48" Renaissance Chimney Hood - Cherry	3-223-35-0004
3-172-01-0026	48" Renaissance Chimney Hood - Red Oak	3-223-35-0004

Featuring the clean, bold lines of this Italian architecture, the Tuscan hood accentuates that European style.

Our removable chimney may be trimmed to fit desired height.

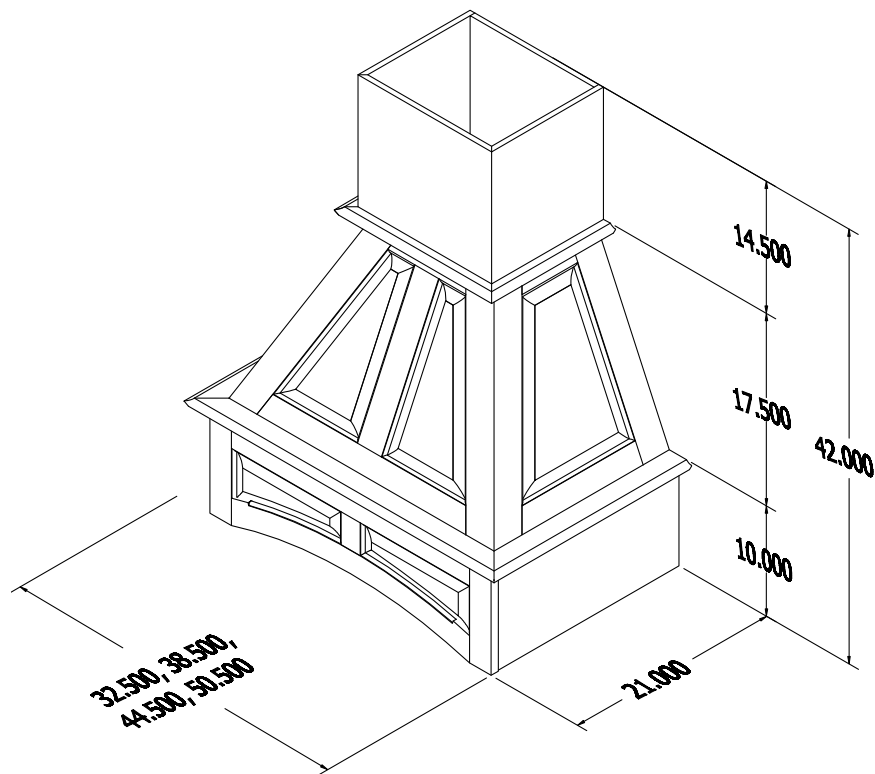


Part Number	Description	Accepts Liner Part Number
3-172-12-0027	30" Tuscan Chimney Hood - Hard Maple	3-223-35-0001
3-172-03-0027	30" Tuscan Chimney Hood - Cherry	3-223-35-0001
3-172-01-0027	30" Tuscan Chimney Hood - Red Oak	3-223-35-0001
3-172-12-0028	36" Tuscan Chimney Hood - Hard Maple	3-223-35-0002
3-172-03-0028	36" Tuscan Chimney Hood - Cherry	3-223-35-0002
3-172-01-0028	36" Tuscan Chimney Hood - Red Oak	3-223-35-0002
3-172-12-0029	42" Tuscan Chimney Hood - Hard Maple	3-223-35-0003
3-172-03-0029	42" Tuscan Chimney Hood - Cherry	3-223-35-0003
3-172-01-0029	42" Tuscan Chimney Hood - Red Oak	3-223-35-0003
3-172-12-0030	48" Tuscan Chimney Hood - Hard Maple	3-223-35-0004
3-172-03-0030	48" Tuscan Chimney Hood - Cherry	3-223-35-0004
3-172-01-0030	48" Tuscan Chimney Hood - Red Oak	3-223-35-0004

Arched Valance Tuscan Chimney Hood

Maintaining the Italian look of the standard Tuscan Chimney, this design features a more stylish and accentuated alternative.

Our removable chimney may be trimmed to fit desired height.



Part Number	Description	Accepts Liner Part Number
3-172-12-0031	30" Arched Valance Tuscan Chimney Hood - Hard Maple	3-223-35-0001
3-172-03-0031	30" Arched Valance Tuscan Chimney Hood - Cherry	3-223-35-0001
3-172-01-0031	30" Arched Valance Tuscan Chimney Hood - Red Oak	3-223-35-0001
3-172-12-0032	36" Arched Valance Tuscan Chimney Hood - Hard Maple	3-223-35-0002
3-172-03-0032	36" Arched Valance Tuscan Chimney Hood - Cherry	3-223-35-0002
3-172-01-0032	36" Arched Valance Tuscan Chimney Hood - Red Oak	3-223-35-0002
3-172-12-0033	42" Arched Valance Tuscan Chimney Hood - Hard Maple	3-223-35-0003
3-172-03-0033	42" Arched Valance Tuscan Chimney Hood - Cherry	3-223-35-0003
3-172-01-0033	42" Arched Valance Tuscan Chimney Hood - Red Oak	3-223-35-0003
3-172-12-0034	48" Arched Valance Tuscan Chimney Hood - Hard Maple	3-223-35-0004
3-172-03-0034	48" Arched Valance Tuscan Chimney Hood - Cherry	3-223-35-0004
3-172-01-0034	48" Arched Valance Tuscan Chimney Hood - Red Oak	3-223-35-0004

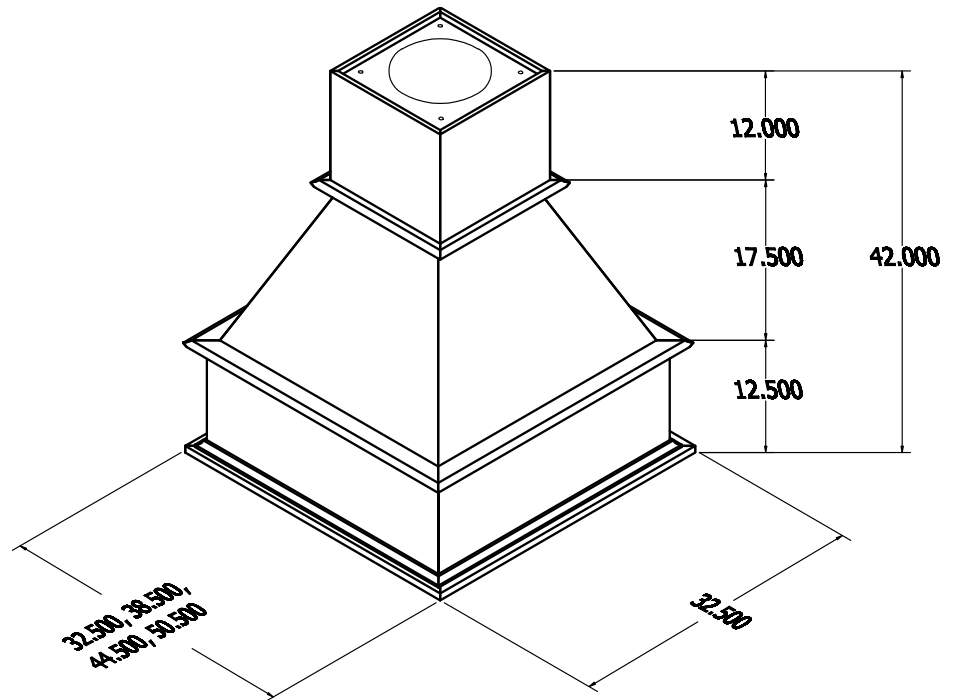
Island Chimney Hood Collection

Classic Chimney - Island

With an island range application, the Island Chimney becomes the benchmark of quality and style for the remainder of the room's design. It is designed to accommodate a more contemporary look to blend with the remaining features of the room décor.

Designed to accommodate ceilings up to 9'.

Our removable chimney may be trimmed to fit desired height.



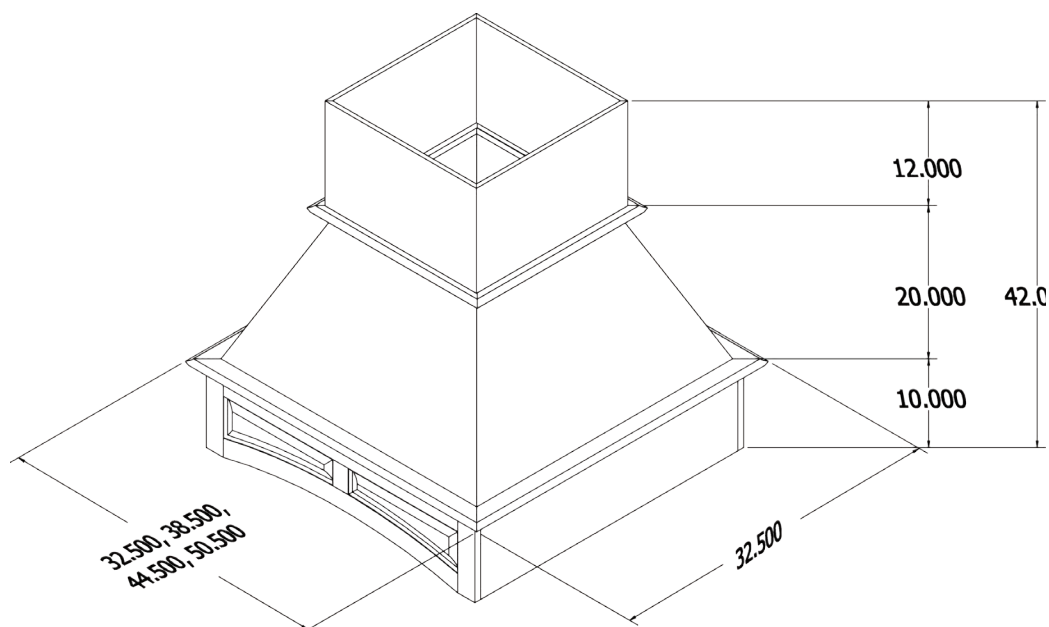
Part Number	Description	Accepts Liner Part Number
3-173-12-0001	30" Classic Chimney - Island Hood - Hard Maple	3-223-35-0007
3-173-03-0001	30" Classic Chimney - Island Hood - Cherry	3-223-35-0007
3-173-01-0001	30" Classic Chimney - Island Hood - Red Oak	3-223-35-0007
3-173-12-0002	36" Classic Chimney - Island Hood - Hard Maple	3-223-35-0008
3-173-03-0002	36" Classic Chimney - Island Hood - Cherry	3-223-35-0008
3-173-01-0002	36" Classic Chimney - Island Hood - Red Oak	3-223-35-0008
3-173-12-0003	42" Classic Chimney - Island Hood - Hard Maple	3-223-35-0009
3-173-03-0003	42" Classic Chimney - Island Hood - Cherry	3-223-35-0009
3-173-01-0003	42" Classic Chimney - Island Hood - Red Oak	3-223-35-0009
3-173-12-0004	48" Classic Chimney - Island Hood - Hard Maple	3-223-35-0010
3-173-03-0004	48" Classic Chimney - Island Hood - Cherry	3-223-35-0010
3-173-01-0004	48" Classic Chimney - Island Hood - Red Oak	3-223-35-0010

Roman Valance Chimney - Island

When room trim follows the classic Roman design, this Island Chimney will blend perfectly and complement the other features of the room design. With an island range application, the Island Chimney becomes the benchmark of quality and style for the remainder of the room's design.

Designed to accommodate ceilings up to 9'.

Our removable chimney may be trimmed to fit desired height.

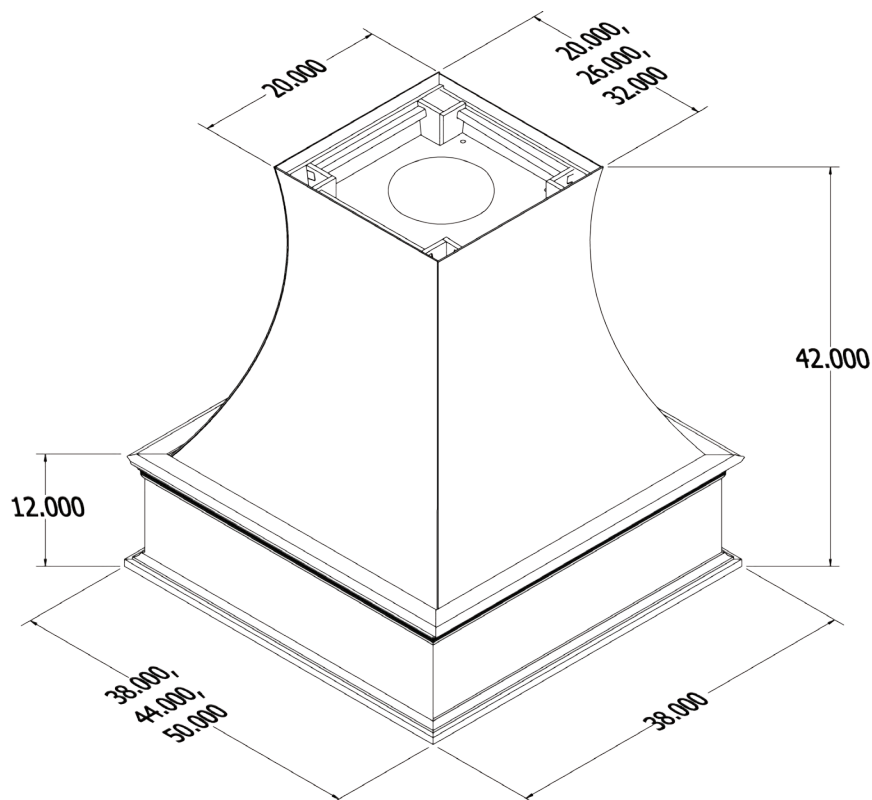


Part Number	Description	Accepts Liner Part Number
3-173-12-0005	30" Roman Valance Chimney - Island Hood - Hard Maple	3-223-35-0007
3-173-03-0005	30" Roman Valance Chimney - Island Hood - Cherry	3-223-35-0007
3-173-01-0005	30" Roman Valance Chimney - Island Hood - Red Oak	3-223-35-0007
3-173-12-0006	36" Roman Valance Chimney - Island Hood - Hard Maple	3-223-35-0008
3-173-03-0006	36" Roman Valance Chimney - Island Hood - Cherry	3-223-35-0008
3-173-01-0006	36" Roman Valance Chimney - Island Hood - Red Oak	3-223-35-0008
3-173-12-0007	42" Roman Valance Chimney - Island Hood - Hard Maple	3-223-35-0009
3-173-03-0007	42" Roman Valance Chimney - Island Hood - Cherry	3-223-35-0009
3-173-01-0007	42" Roman Valance Chimney - Island Hood - Red Oak	3-223-35-0009
3-173-12-0008	48" Roman Valance Chimney - Island Hood - Hard Maple	3-223-35-0010
3-173-03-0008	48" Roman Valance Chimney - Island Hood - Cherry	3-223-35-0010
3-173-01-0008	48" Roman Valance Chimney - Island Hood - Red Oak	3-223-35-0010

Contoured Chimney - Island

The Contoured Chimney provides a dramatic alternative to the standard chimney hood design where the room décor calls for sweeping lines in the design to complement other features of the room.

With an island range application, the Island Chimney becomes the benchmark of quality and style for the remainder of the room's design.



Part Number	Description	Accepts Liner Part Number
3-173-12-0009	36" Contoured Chimney - Island Hood - Hard Maple	3-223-35-0008
3-173-03-0009	36" Contoured Chimney - Island Hood - Cherry	3-223-35-0008
3-173-01-0009	36" Contoured Chimney - Island Hood - Red Oak	3-223-35-0008
3-173-12-0010	42" Contoured Chimney - Island Hood - Hard Maple	3-223-35-0009
3-173-03-0010	42" Contoured Chimney - Island Hood - Cherry	3-223-35-0009
3-173-01-0010	42" Contoured Chimney - Island Hood - Red Oak	3-223-35-0009
3-173-12-0011	48" Contoured Chimney - Island Hood - Hard Maple	3-223-35-0010
3-173-03-0011	48" Contoured Chimney - Island Hood - Cherry	3-223-35-0010
3-173-01-0011	48" Contoured Chimney - Island Hood - Red Oak	3-223-35-0010

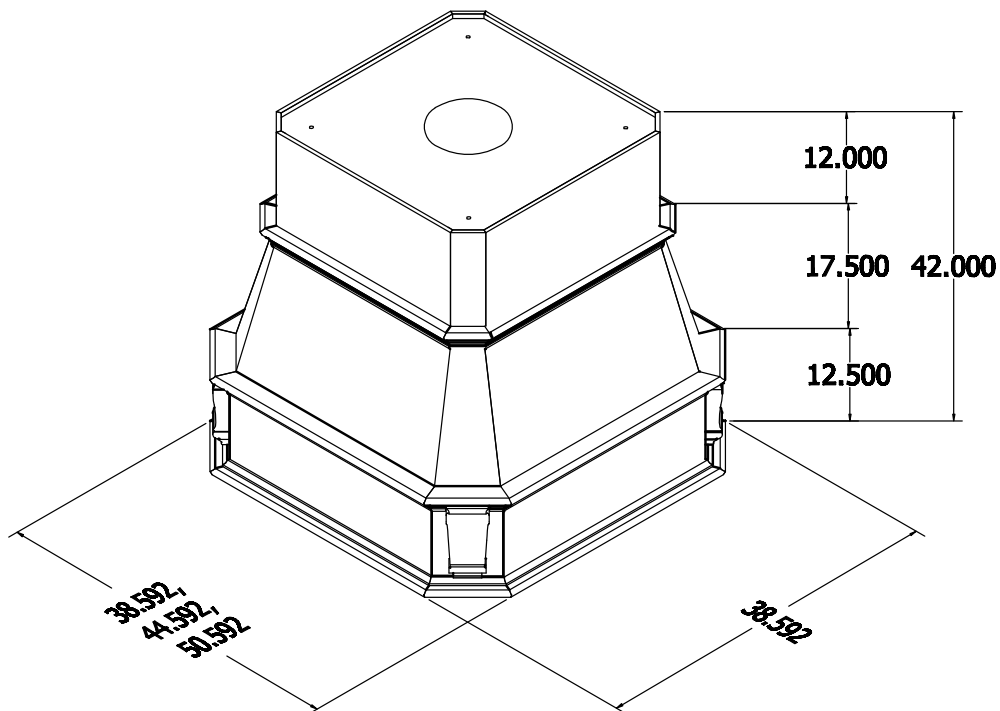
Aristocrat Chimney - Island

For those seeking that ultimate high-end look, the Aristocrat design provides a statement that is unmistakable and will blend perfectly with the other extraordinary components of the kitchen.

With an island range application, the Island Chimney becomes the benchmark of quality and style for the remainder of the room's design.

Designed to accommodate ceilings up to 9'.

Our removable chimney may be trimmed to fit desired height.



Part Number	Description	Accepts Liner Part Number
3-173-12-0016	36" Aristocrat Chimney - Island Hood - Hard Maple	3-223-35-0007
3-173-03-0016	36" Aristocrat Chimney - Island Hood - Cherry	3-223-35-0007
3-173-01-0016	36" Aristocrat Chimney - Island Hood - Red Oak	3-223-35-0007
3-173-12-0017	42" Aristocrat Chimney - Island Hood - Hard Maple	3-223-35-0008
3-173-03-0017	42" Aristocrat Chimney - Island Hood - Cherry	3-223-35-0008
3-173-01-0017	42" Aristocrat Chimney - Island Hood - Red Oak	3-223-35-0008
3-173-12-0018	48" Aristocrat Chimney - Island Hood - Hard Maple	3-223-35-0009
3-173-03-0018	48" Aristocrat Chimney - Island Hood - Cherry	3-223-35-0009
3-173-01-0018	48" Aristocrat Chimney - Island Hood - Red Oak	3-223-35-0009

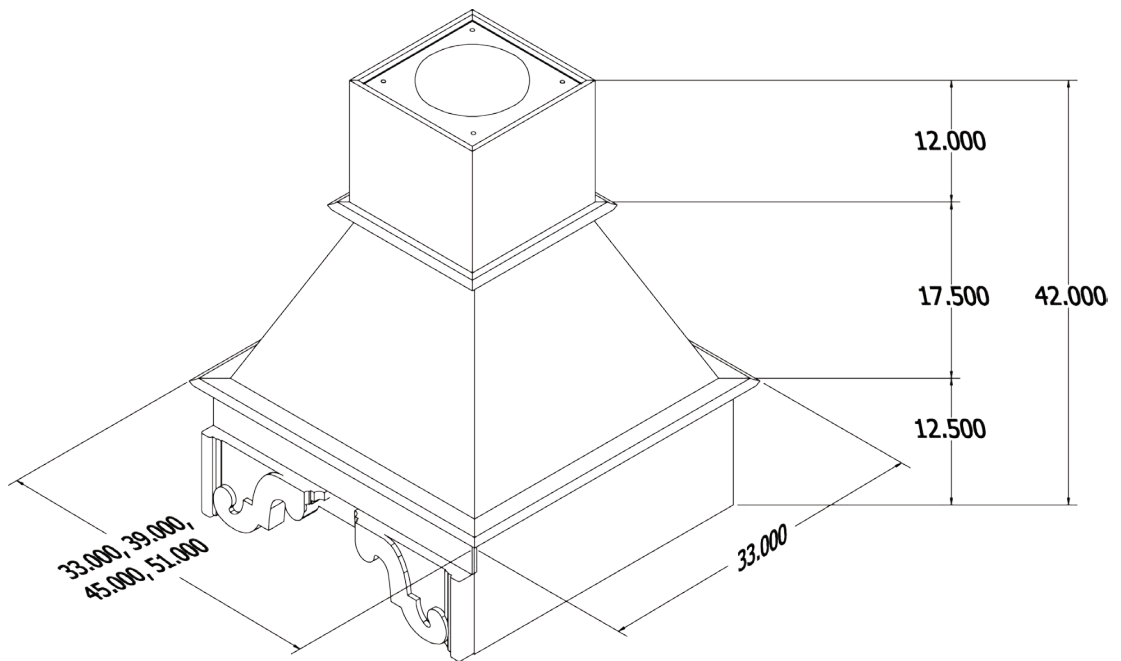
Monarch Chimney - Island

For that elegant and stylish look, the Monarch design detail will compliment the discriminating design that exists throughout the rest of the kitchen.

With an island range application, the Island Chimney becomes the benchmark of quality and style for the remainder of the room's design.

Designed to accommodate ceilings up to 9'.

Our removable chimney may be trimmed to fit desired height.



Part Number	Description	Accepts Liner Part Number
3-173-12-0012	30" Monarch Chimney - Island Hood - Hard Maple	3-223-35-0007
3-173-03-0012	30" Monarch Chimney - Island Hood - Cherry	3-223-35-0007
3-173-01-0012	30" Monarch Chimney - Island Hood - Red Oak	3-223-35-0007
3-173-12-0013	36" Monarch Chimney - Island Hood - Hard Maple	3-223-35-0008
3-173-03-0013	36" Monarch Chimney - Island Hood - Cherry	3-223-35-0008
3-173-01-0013	36" Monarch Chimney - Island Hood - Red Oak	3-223-35-0008
3-173-12-0014	42" Monarch Chimney - Island Hood - Hard Maple	3-223-35-0009
3-173-03-0014	42" Monarch Chimney - Island Hood - Cherry	3-223-35-0009
3-173-01-0014	42" Monarch Chimney - Island Hood - Red Oak	3-223-35-0009
3-173-12-0015	48" Monarch Chimney - Island Hood - Hard Maple	3-223-35-0010
3-173-03-0015	48" Monarch Chimney - Island Hood - Cherry	3-223-35-0010
3-173-01-0015	48" Monarch Chimney - Island Hood - Red Oak	3-223-35-0010

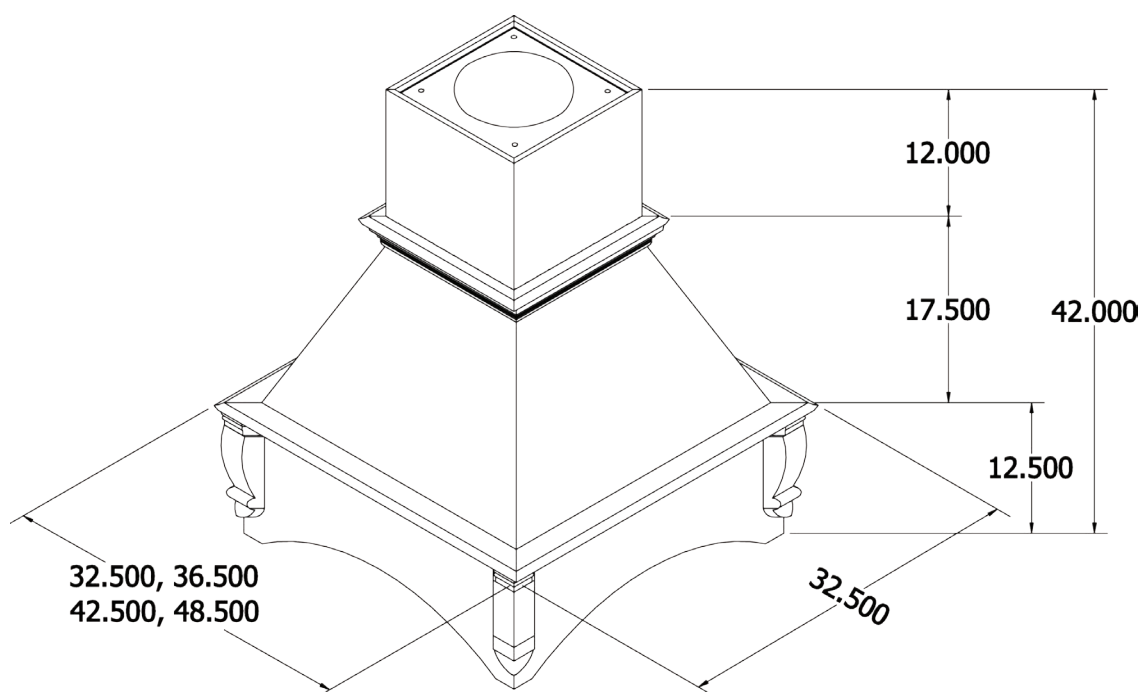
Renaissance Chimney - Island

Designed to compliment the home that revives this cultural period of history, the Renaissance hood will blend perfectly into such a décor.

With an island range application, the Island Chimney becomes the benchmark of quality and style for the remainder of the room's design.

Designed to accommodate ceilings up to 9'.

Our removable chimney may be trimmed to fit desired height.



Part Number	Description	Accepts Liner Part Number
3-173-12-0019	30" Renaissance Chimney - Island Hood - Hard Maple	3-223-35-0007
3-173-03-0019	30" Renaissance Chimney - Island Hood - Cherry	3-223-35-0007
3-173-01-0019	30" Renaissance Chimney - Island Hood - Red Oak	3-223-35-0007
3-173-12-0020	36" Renaissance Chimney - Island Hood - Hard Maple	3-223-35-0008
3-173-03-0020	36" Renaissance Chimney - Island Hood - Cherry	3-223-35-0008
3-173-01-0020	36" Renaissance Chimney - Island Hood - Red Oak	3-223-35-0008
3-173-12-0021	42" Renaissance Chimney - Island Hood - Hard Maple	3-223-35-0009
3-173-03-0021	42" Renaissance Chimney - Island Hood - Cherry	3-223-35-0009
3-173-01-0021	42" Renaissance Chimney - Island Hood - Red Oak	3-223-35-0009
3-173-12-0022	48" Renaissance Chimney - Island Hood - Hard Maple	3-223-35-0010
3-173-03-0022	48" Renaissance Chimney - Island Hood - Cherry	3-223-35-0010
3-173-01-0022	48" Renaissance Chimney - Island Hood - Red Oak	3-223-35-0010

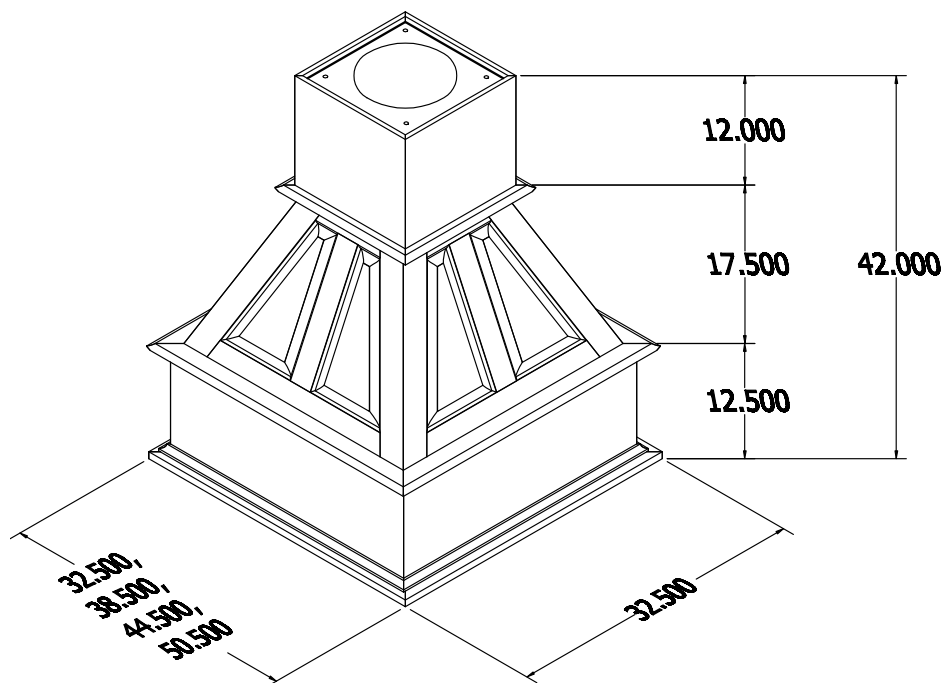
Tuscan Chimney - Island

Featuring the clean, bold lines of this Italian architecture, the Tuscan hood accentuates that European style.

With an island range application, the Island Chimney becomes the benchmark of quality and style for the remainder of the room's design.

Designed to accommodate ceilings up to 9'.

Our removable chimney may be trimmed to fit desired height.



Part Number	Description	Accepts Liner Part Number
3-173-12-0027	30" Tuscan Chimney - Island Hood - Hard Maple	3-223-35-0007
3-173-03-0027	30" Tuscan Chimney - Island Hood - Cherry	3-223-35-0007
3-173-01-0027	30" Tuscan Chimney - Island Hood - Red Oak	3-223-35-0007
3-173-12-0028	36" Tuscan Chimney - Island Hood - Hard Maple	3-223-35-0008
3-173-03-0028	36" Tuscan Chimney - Island Hood - Cherry	3-223-35-0008
3-173-01-0028	36" Tuscan Chimney - Island Hood - Red Oak	3-223-35-0008
3-173-12-0029	42" Tuscan Chimney - Island Hood - Hard Maple	3-223-35-0009
3-173-03-0029	42" Tuscan Chimney - Island Hood - Cherry	3-223-35-0009
3-173-01-0029	42" Tuscan Chimney - Island Hood - Red Oak	3-223-35-0009
3-173-12-0030	48" Tuscan Chimney - Island Hood - Hard Maple	3-223-35-0010
3-173-03-0030	48" Tuscan Chimney - Island Hood - Cherry	3-223-35-0010
3-173-01-0030	48" Tuscan Chimney - Island Hood - Red Oak	3-223-35-0010

Our Arched Valance Tuscan Chimney design has available options for island hoods as well. Please contact customer service for details.

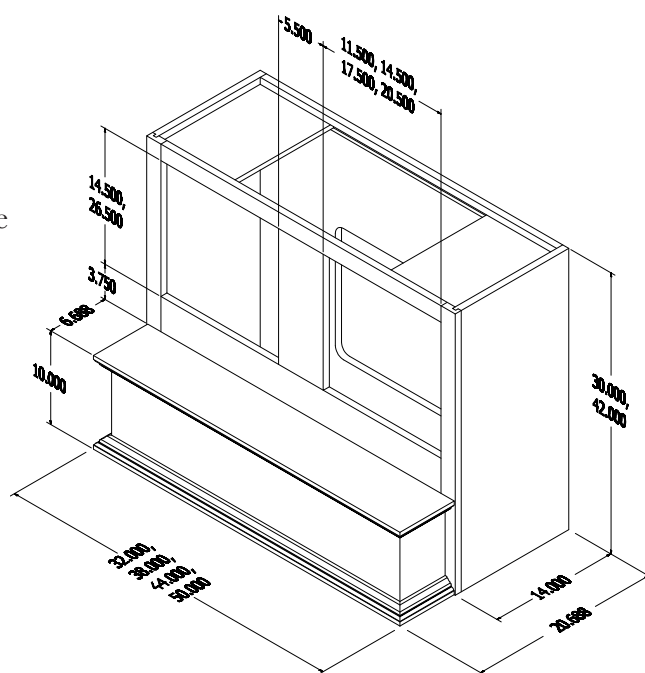
Mantel Hood Collection

Majestic Mantel Hood

The Majestic Mantel Hood provides a contemporary mantel hood style that would be at home in any kitchen.

Designed to accommodate the same doors used in the remainder of the kitchen.

Available in 30" and 42" heights.



Part Number	Description	Accepts Liner Part Number
3-174-12-0021	32" x 30" Majestic Mantel - Hard Maple	3-223-35-0001
3-174-03-0021	32" x 30" Majestic Mantel - Cherry	3-223-35-0001
3-174-01-0021	32" x 30" Majestic Mantel - Red Oak	3-223-35-0001
3-174-12-0022	38" x 30" Majestic Mantel - Hard Maple	3-223-35-0002
3-174-03-0022	38" x 30" Majestic Mantel - Cherry	3-223-35-0002
3-174-01-0022	38" x 30" Majestic Mantel - Red Oak	3-223-35-0002
3-174-12-0023	44" x 30" Majestic Mantel - Hard Maple	3-223-35-0003
3-174-03-0023	44" x 30" Majestic Mantel - Cherry	3-223-35-0003
3-174-01-0023	44" x 30" Majestic Mantel - Red Oak	3-223-35-0003
3-174-12-0024	50" x 30" Majestic Mantel - Hard Maple	3-223-35-0004
3-174-03-0024	50" x 30" Majestic Mantel - Cherry	3-223-35-0004
3-174-01-0024	50" x 30" Majestic Mantel - Red Oak	3-223-35-0004

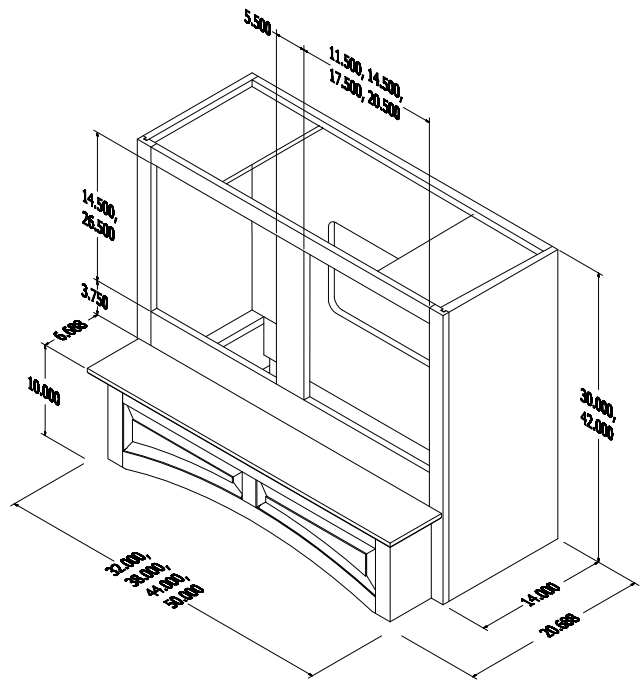
Part Number	Description	Accepts Liner Part Number
3-174-12-0017	32" x 42" Majestic Mantel - Hard Maple	3-223-35-0001
3-174-03-0017	32" x 42" Majestic Mantel - Cherry	3-223-35-0001
3-174-01-0017	32" x 42" Majestic Mantel - Red Oak	3-223-35-0001
3-174-12-0018	38" x 42" Majestic Mantel - Hard Maple	3-223-35-0002
3-174-03-0018	38" x 42" Majestic Mantel - Cherry	3-223-35-0002
3-174-01-0018	38" x 42" Majestic Mantel - Red Oak	3-223-35-0002
3-174-12-0019	44" x 42" Majestic Mantel - Hard Maple	3-223-35-0003
3-174-03-0019	44" x 42" Majestic Mantel - Cherry	3-223-35-0003
3-174-01-0019	44" x 42" Majestic Mantel - Red Oak	3-223-35-0003
3-174-12-0020	50" x 42" Majestic Mantel - Hard Maple	3-223-35-0004
3-174-03-0020	50" x 42" Majestic Mantel - Cherry	3-223-35-0004
3-174-01-0020	50" x 42" Majestic Mantel - Red Oak	3-223-35-0004

Arched Front Majestic Mantel Hood

The Arched Front Majestic Mantel Hood provides a stylish higher-end alternative to the standard Majestic Mantel Hood.

Designed to accommodate the same doors used in the remainder of the kitchen.

Available in 30" and 42" heights.



Part Number	Description	Accepts Liner Part Number
3-174-12-0029	32" x 30" Arched Front Majestic Mantel - Hard Maple	3-223-35-0001
3-174-03-0029	32" x 30" Arched Front Majestic Mantel - Cherry	3-223-35-0001
3-174-01-0029	32" x 30" Arched Front Majestic Mantel - Red Oak	3-223-35-0001
3-174-12-0030	38" x 30" Arched Front Majestic Mantel - Hard Maple	3-223-35-0002
3-174-03-0030	38" x 30" Arched Front Majestic Mantel - Cherry	3-223-35-0002
3-174-01-0030	38" x 30" Arched Front Majestic Mantel - Red Oak	3-223-35-0002
3-174-12-0031	44" x 30" Arched Front Majestic Mantel - Hard Maple	3-223-35-0003
3-174-03-0031	44" x 30" Arched Front Majestic Mantel - Cherry	3-223-35-0003
3-174-01-0031	44" x 30" Arched Front Majestic Mantel - Red Oak	3-223-35-0003
3-174-12-0032	50" x 30" Arched Front Majestic Mantel - Hard Maple	3-223-35-0004
3-174-03-0032	50" x 30" Arched Front Majestic Mantel - Cherry	3-223-35-0004
3-174-01-0032	50" x 30" Arched Front Majestic Mantel - Red Oak	3-223-35-0004

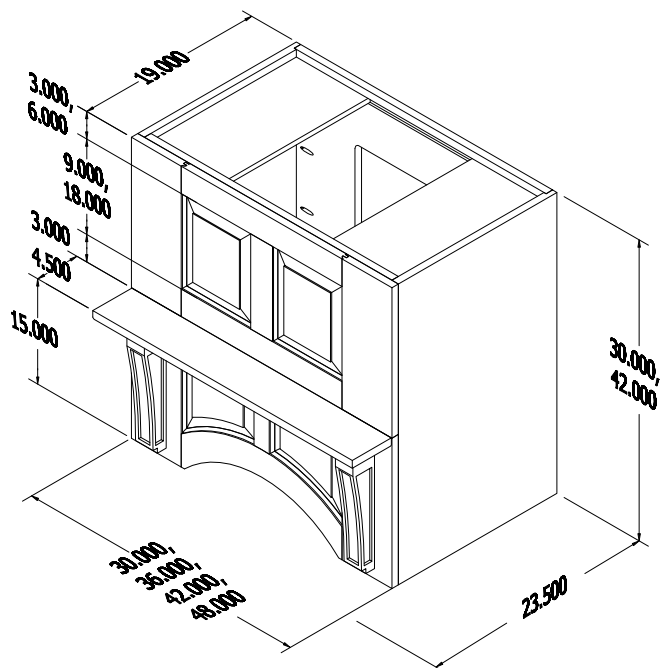
Part Number	Description	Accepts Liner Part Number
3-174-12-0025	32" x 42" Arched Front Majestic Mantel- Hard Maple	3-223-35-0001
3-174-03-0025	32" x 42" Arched Front Majestic Mantel - Cherry	3-223-35-0001
3-174-01-0025	32" x 42" Arched Front Majestic Mantel - Red Oak	3-223-35-0001
3-174-12-0026	38" x 42" Arched Front Majestic Mantel - Hard Maple	3-223-35-0002
3-174-03-0026	38" x 42" Arched Front Majestic Mantel - Cherry	3-223-35-0002
3-174-01-0026	38" x 42" Arched Front Majestic Mantel - Red Oak	3-223-35-0002
3-174-12-0027	44" x 42" Arched Front Majestic Mantel - Hard Maple	3-223-35-0003
3-174-03-0027	44" x 42" Arched Front Majestic Mantel - Cherry	3-223-35-0003
3-174-01-0027	44" x 42" Arched Front Majestic Mantel - Red Oak	3-223-35-0003
3-174-12-0028	50" x 42" Arched Front Majestic Mantel - Hard Maple	3-223-35-0004
3-174-03-0028	50" x 42" Arched Front Majestic Mantel - Cherry	3-223-35-0004
3-174-01-0028	50" x 42" Arched Front Majestic Mantel - Red Oak	3-223-35-0004

Old World Mantel Hood

The Old World Mantel Hood provides a stylish mission/shaker style to our mantel hood collection.

Removable top panel to ease with finishing and installation.

Available in 30" and 42" heights.



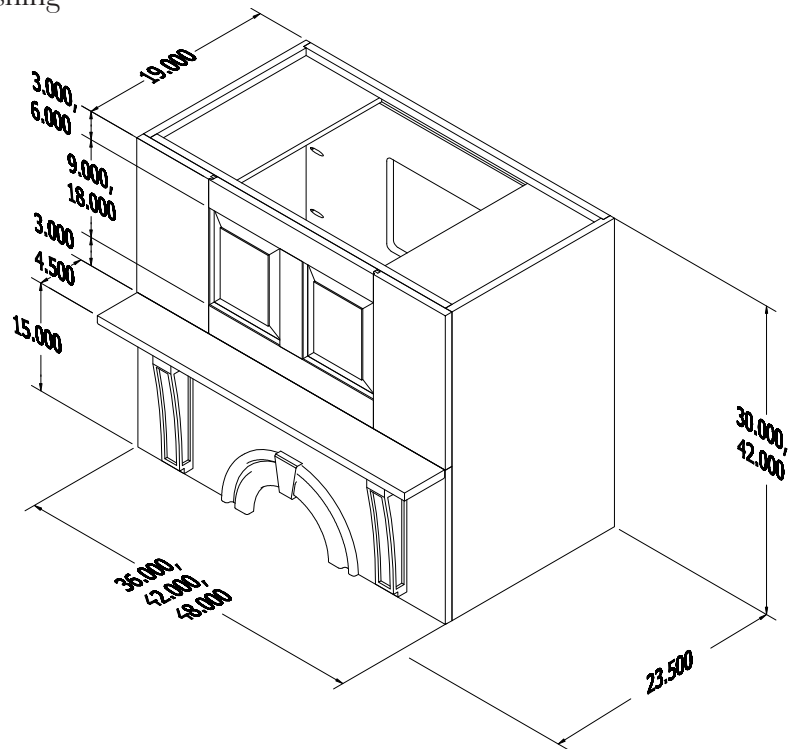
Part Number	Description	Accepts Liner Part Number
3-174-12-0037	30"x30" Old World Mantel - Hard Maple	3-223-35-0001
3-174-03-0037	30"x30" Old World Mantel - Cherry	3-223-35-0001
3-174-01-0037	30"x30" Old World Mantel - Red Oak	3-223-35-0001
3-174-12-0038	36"x30" Old World Mantel - Hard Maple	3-223-35-0002
3-174-03-0038	36"x30" Old World Mantel - Cherry	3-223-35-0002
3-174-01-0038	36"x30" Old World Mantel - Red Oak	3-223-35-0002
3-174-12-0039	42"x30" Old World Mantel - Hard Maple	3-223-35-0003
3-174-03-0039	42"x30" Old World Mantel - Cherry	3-223-35-0003
3-174-01-0039	42"x30" Old World Mantel - Red Oak	3-223-35-0003
3-174-12-0040	48"x30" Old World Mantel - Hard Maple	3-223-35-0004
3-174-03-0040	48"x30" Old World Mantel - Cherry	3-223-35-0004
3-174-01-0040	48"x30" Old World Mantel - Red Oak	3-223-35-0004

Part Number	Description	Accepts Liner Part Number
3-174-12-0033	30"x42" Old World Mantel - Hard Maple	3-223-35-0001
3-174-03-0033	30"x42" Old World Mantel - Cherry	3-223-35-0001
3-174-01-0033	30"x42" Old World Mantel - Red Oak	3-223-35-0001
3-174-12-0034	36"x42" Old World Mantel - Hard Maple	3-223-35-0002
3-174-03-0034	36"x42" Old World Mantel - Cherry	3-223-35-0002
3-174-01-0034	36"x42" Old World Mantel - Red Oak	3-223-35-0002
3-174-12-0035	42"x42" Old World Mantel - Hard Maple	3-223-35-0003
3-174-03-0035	42"x42" Old World Mantel - Cherry	3-223-35-0003
3-174-01-0035	42"x42" Old World Mantel - Red Oak	3-223-35-0003
3-174-12-0036	48"x42" Old World Mantel - Hard Maple	3-223-35-0004
3-174-03-0036	48"x42" Old World Mantel - Cherry	3-223-35-0004
3-174-01-0036	48"x42" Old World Mantel - Red Oak	3-223-35-0004

The Regal Mantel Hood provides an elegant alternative and the finishing touch to any kitchen.

Removable top panel to ease with finishing and installation.

Available in 30" and 42" heights.

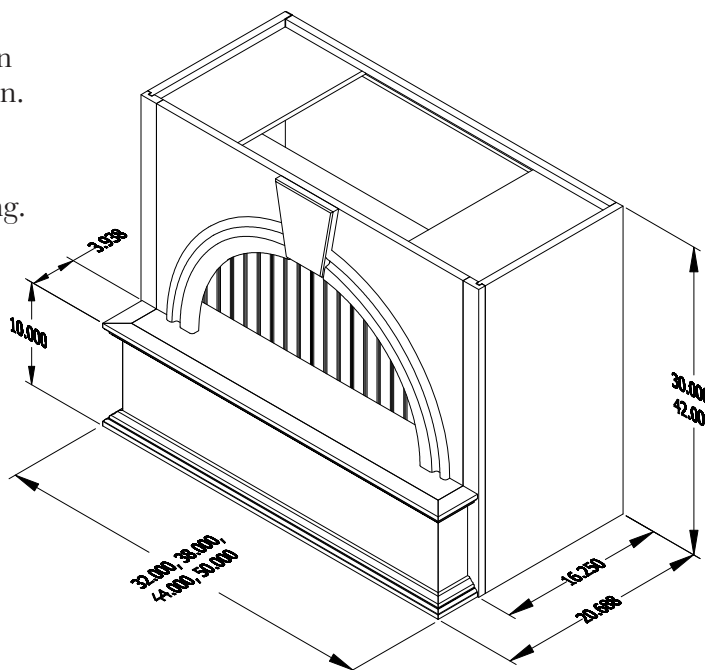


Part Number	Description	Accepts Liner Part Number
3-174-12-0042	36"x42" Regal Mantel - Hard Maple	3-223-35-0002
3-174-03-0042	36"x42" Regal Mantel - Cherry	3-223-35-0002
3-174-01-0042	36"x42" Regal Mantel - Red Oak	3-223-35-0002
3-174-12-0043	42"x42" Regal Mantel - Hard Maple	3-223-35-0003
3-174-03-0043	42"x42" Regal Mantel - Cherry	3-223-35-0003
3-174-01-0043	42"x42" Regal Mantel - Red Oak	3-223-35-0003
3-174-12-0044	48"x42" Regal Mantel - Hard Maple	3-223-35-0004
3-174-03-0044	48"x42" Regal Mantel - Cherry	3-223-35-0004
3-174-01-0044	48"x42" Regal Mantel - Red Oak	3-223-35-0004

Windsor Mantel Hood

The Windsor Mantel Hood provides an elegant alternative to the standard chimney hood design by becoming the centerpiece in anyone's kitchen. The Windsor also provides a shadow box style display to shelf décor.

Removable bead board panel for ease of finishing. Available in 30" and 42" heights.



Part Number	Description	Accepts Liner Part Number
3-174-12-0005	32" x 30" Windsor Mantel - Hard Maple	3-223-35-0001
3-174-03-0005	32" x 30" Windsor Mantel - Cherry	3-223-35-0001
3-174-01-0005	32" x 30" Windsor Mantel - Red Oak	3-223-35-0001
3-174-12-0006	38" x 30" Windsor Mantel - Hard Maple	3-223-35-0002
3-174-03-0006	38" x 30" Windsor Mantel - Cherry	3-223-35-0002
3-174-01-0006	38" x 30" Windsor Mantel - Red Oak	3-223-35-0002
3-174-12-0007	44" x 30" Windsor Mantel - Hard Maple	3-223-35-0003
3-174-03-0007	44" x 30" Windsor Mantel - Cherry	3-223-35-0003
3-174-01-0007	44" x 30" Windsor Mantel - Red Oak	3-223-35-0003
3-174-12-0008	50" x 30" Windsor Mantel - Hard Maple	3-223-35-0004
3-174-03-0008	50" x 30" Windsor Mantel - Cherry	3-223-35-0004
3-174-01-0008	50" x 30" Windsor Mantel - Red Oak	3-223-35-0004

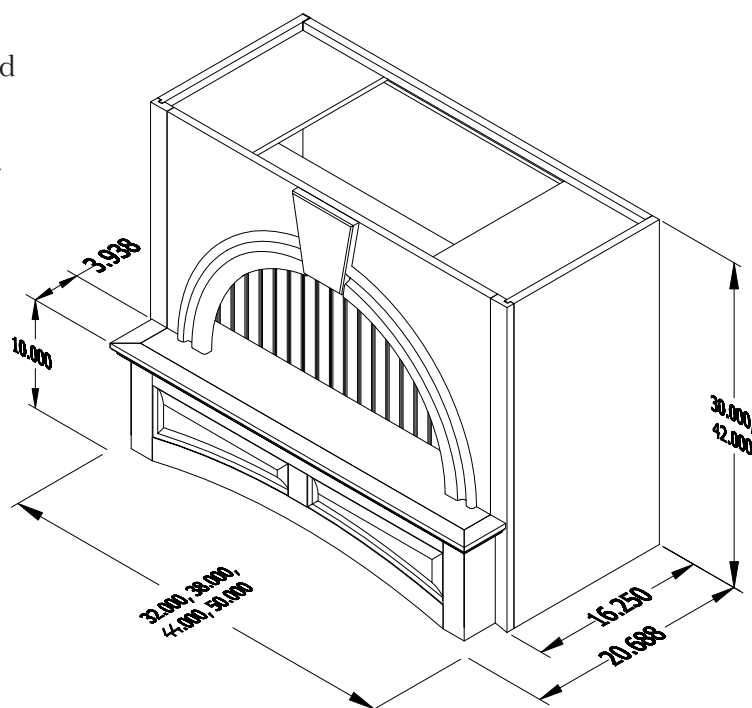
Part Number	Description	Accepts Liner Part Number
3-174-12-0001	32" x 42" Windsor Mantel - Hard Maple	3-223-35-0001
3-174-03-0001	32" x 42" Windsor Mantel - Cherry	3-223-35-0001
3-174-01-0001	32" x 42" Windsor Mantel - Red Oak	3-223-35-0001
3-174-12-0002	38" x 42" Windsor Mantel - Hard Maple	3-223-35-0002
3-174-03-0002	38" x 42" Windsor Mantel - Cherry	3-223-35-0002
3-174-01-0002	38" x 42" Windsor Mantel - Red Oak	3-223-35-0002
3-174-12-0003	44" x 42" Windsor Mantel - Hard Maple	3-223-35-0003
3-174-03-0003	44" x 42" Windsor Mantel - Cherry	3-223-35-0003
3-174-01-0003	44" x 42" Windsor Mantel - Red Oak	3-223-35-0003
3-174-12-0004	50" x 42" Windsor Mantel - Hard Maple	3-223-35-0004
3-174-03-0004	50" x 42" Windsor Mantel - Cherry	3-223-35-0004
3-174-01-0004	50" x 42" Windsor Mantel - Red Oak	3-223-35-0004

Arched Front Windsor Mantel Hood

The Arched Front Windsor Mantel Hood provides an elegant alternative to the standard chimney hood design.

Removable bead board panel for ease of finishing.

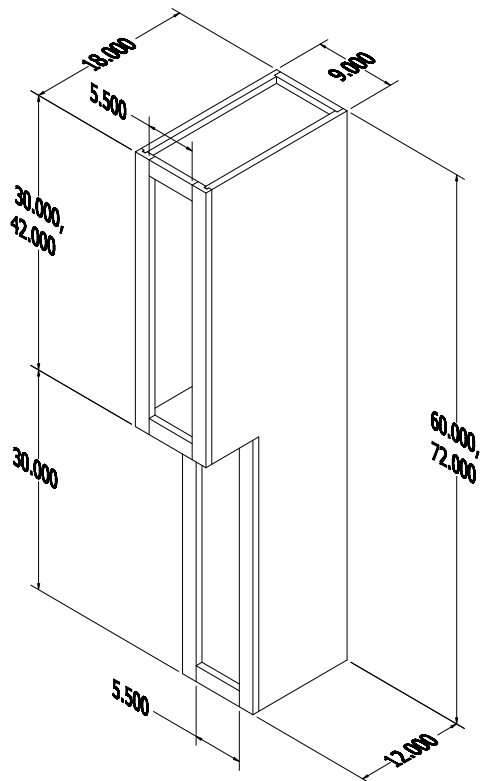
Available in 30" and 42" heights.



Part Number	Description	Accepts Liner Part Number
3-174-12-0013	32" x 30" Arched Front Windsor Mantel - Hard Maple	3-223-35-0001
3-174-03-0013	32" x 30" Arched Front Windsor Mantel - Cherry	3-223-35-0001
3-174-01-0013	32" x 30" Arched Front Windsor Mantel - Red Oak	3-223-35-0001
3-174-12-0014	38" x 30" Arched Front Windsor Mantel - Hard Maple	3-223-35-0002
3-174-03-0014	38" x 30" Arched Front Windsor Mantel - Cherry	3-223-35-0002
3-174-01-0014	38" x 30" Arched Front Windsor Mantel - Red Oak	3-223-35-0002
3-174-12-0015	44" x 30" Arched Front Windsor Mantel - Hard Maple	3-223-35-0003
3-174-03-0015	44" x 30" Arched Front Windsor Mantel - Cherry	3-223-35-0003
3-174-01-0015	44" x 30" Arched Front Windsor Mantel - Red Oak	3-223-35-0003
3-174-12-0016	50" x 30" Arched Front Windsor Mantel - Hard Maple	3-223-35-0004
3-174-03-0016	50" x 30" Arched Front Windsor Mantel - Cherry	3-223-35-0004
3-174-01-0016	50" x 30" Arched Front Windsor Mantel - Red Oak	3-223-35-0004

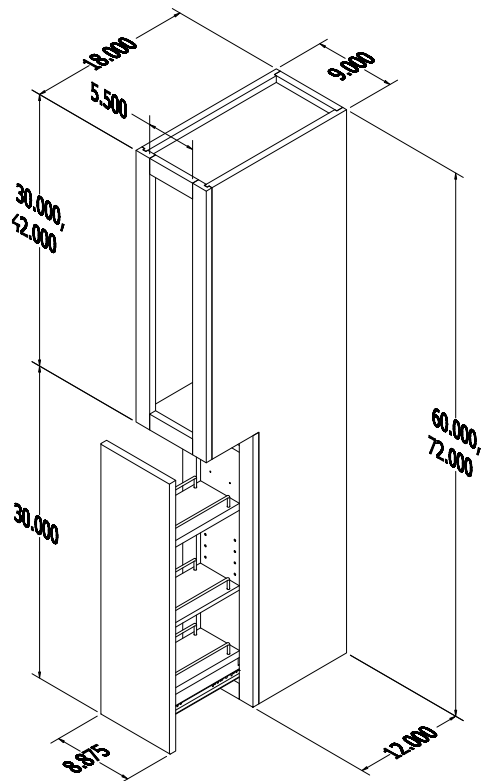
Part Number	Description	Accepts Liner Part Number
3-174-12-0009	32" x 42" Arched Front Windsor Mantel - Hard Maple	3-223-35-0001
3-174-03-0009	32" x 42" Arched Front Windsor Mantel - Cherry	3-223-35-0001
3-174-01-0009	32" x 42" Arched Front Windsor Mantel - Red Oak	3-223-35-0001
3-174-12-0010	38" x 42" Arched Front Windsor Mantel - Hard Maple	3-223-35-0002
3-174-03-0010	38" x 42" Arched Front Windsor Mantel - Cherry	3-223-35-0002
3-174-01-0010	38" x 42" Arched Front Windsor Mantel - Red Oak	3-223-35-0002
3-174-12-0011	44" x 42" Arched Front Windsor Mantel - Hard Maple	3-223-35-0003
3-174-03-0011	44" x 42" Arched Front Windsor Mantel - Cherry	3-223-35-0003
3-174-01-0011	44" x 42" Arched Front Windsor Mantel - Red Oak	3-223-35-0003
3-174-12-0012	50" x 42" Arched Front Windsor Mantel - Hard Maple	3-223-35-0004
3-174-03-0012	50" x 42" Arched Front Windsor Mantel - Cherry	3-223-35-0004
3-174-01-0012	50" x 42" Arched Front Windsor Mantel - Red Oak	3-223-35-0004

Mantel Hood Pillars



Mantel Hood Pillars

The Mantel Hood Pillars are designed to give your mantel hood an extra sense of distinction which also provides you with additional storage in your kitchen.



Mantel Hood Pillars with Pull-Outs

The Mantel Hood Pillars with Pull-Outs provides a stylish higher-end alternative to the standard Mantel Hood Pillar with a supply pull-out shelving unit in the lower portion of the pillar.

Pillars may Accessorize

- Majestic Mantel Hood
- Arched Front Majestic Mantel Hood
- Windsor Mantel Hood
- Arched Front Windsor Mantel Hood

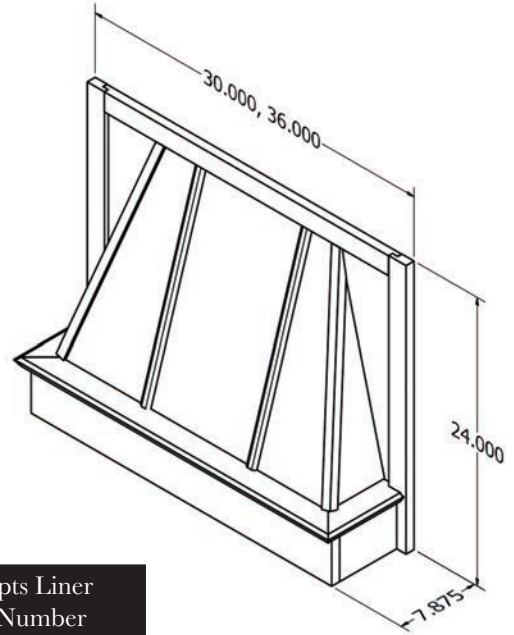
Part Number	Description
3-175-12-0002	9"x72" Mantel Hood Pillar with pullout - Hard Maple
3-175-03-0002	9"x72" Mantel Hood Pillar with pullout - Cherry
3-175-01-0002	9"x72" Mantel Hood Pillar with pullout - Red Oak
3-175-12-0004	9"x72" Mantel Hood Pillar with Shelves - Hard Maple
3-175-03-0004	9"x72" Mantel Hood Pillar with Shelves - Cherry
3-175-01-0004	9"x72" Mantel Hood Pillar with Shelves - Red Oak

Hood Front Collection

Classic Hood Front

Kitchen-Aire's Classic Hood Front features a simple sloped front that creates a pleasing transition to the top of the wall cabinets.

Designed to effortlessly install between two wall cabinets.

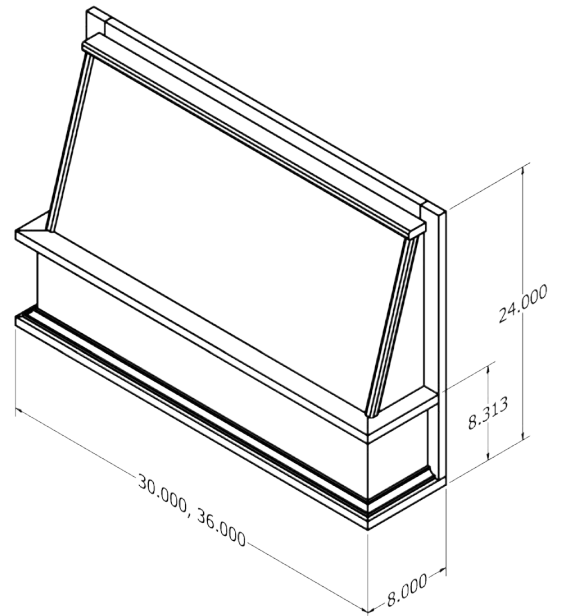


Part Number	Description	Accepts Liner Part Number
3-170-12-0007	30" Classic Hood Front - Hard Maple	3-223-35-0005
3-170-03-0007	30" Classic Hood Front - Cherry	3-223-35-0005
3-170-01-0007	30" Classic Hood Front - Red Oak	3-223-35-0005
3-170-12-0008	36" Classic Hood Front - Hard Maple	3-223-35-0006
3-170-03-0008	36" Classic Hood Front - Cherry	3-223-35-0006
3-170-01-0008	36" Classic Hood Front - Red Oak	3-223-35-0006

Valance Hood Front

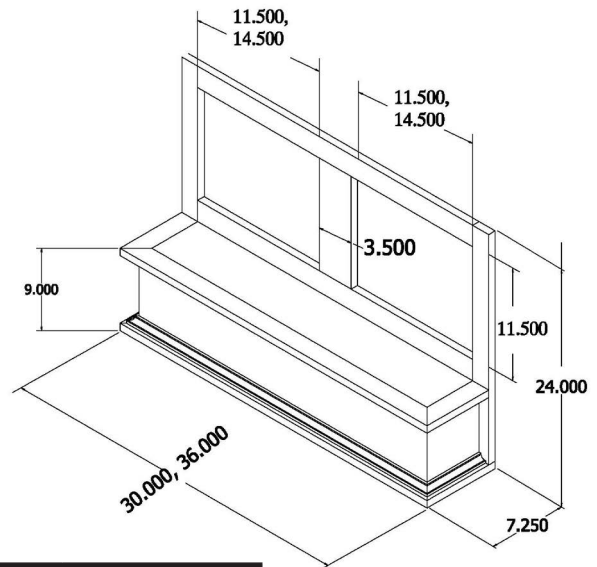
The Valance Hood Front features a simple slope that creates a simple transition from the wall.

The lower mantle area measures 5-5/16" between the moldings and will accommodate a variety of wood appliques.



Canopy Hood Front

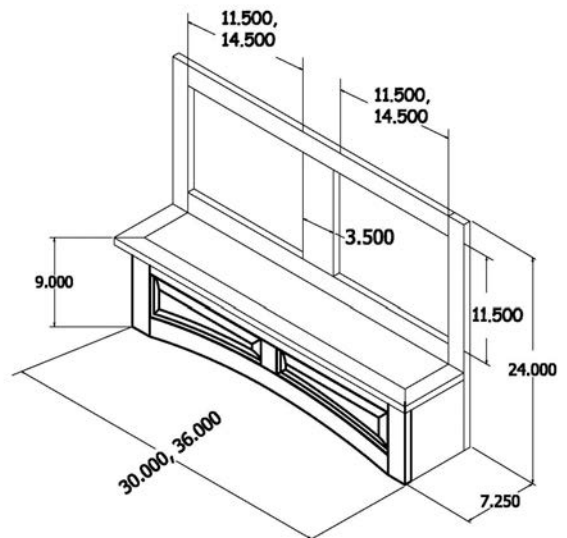
The Canopy Hood Front is designed to provide a cost-effective alternative that will accommodate the same doors used on the remainder of the kitchen.



Part Number	Description	Accepts Liner Part Number
3-170-12-0003	30" Canopy Hood Front - Hard Maple	3-223-35-0005
3-170-03-0003	30" Canopy Hood Front - Cherry	3-223-35-0005
3-170-01-0003	30" Canopy Hood Front - Red Oak	3-223-35-0005
3-170-12-0004	36" Canopy Hood Front - Hard Maple	3-223-35-0006
3-170-03-0004	36" Canopy Hood Front - Cherry	3-223-35-0006
3-170-01-0004	36" Canopy Hood Front - Red Oak	3-223-35-0006

Arched Valance Canopy Hood Front

The Arched Valance Hood Front provides a stylish higher-end alternative to the standard Canopy Hood Front.

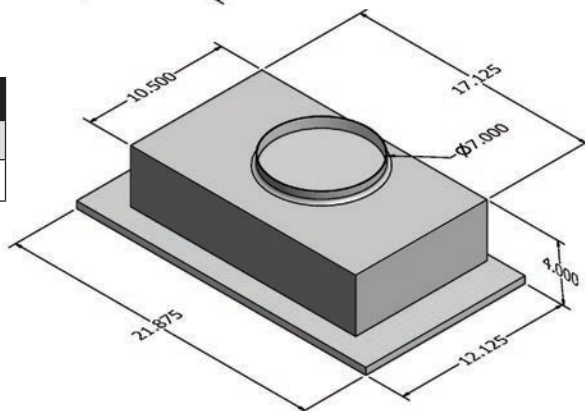
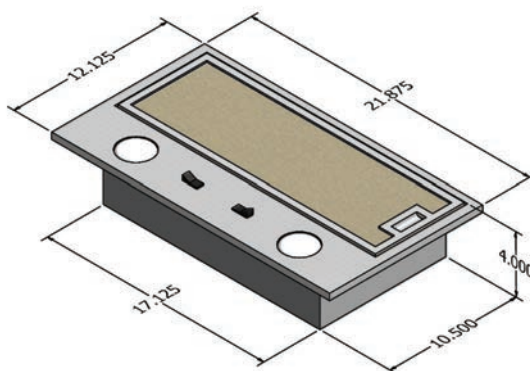


Part Number	Description	Accepts Liner Part Number
3-170-12-0005	30" Arched Valance Canopy Hood Front - Hard Maple	3-223-35-0005
3-170-03-0005	30" Arched Valance Canopy Hood Front - Cherry	3-223-35-0005
3-170-01-0005	30" Arched Valance Canopy Hood Front - Red Oak	3-223-35-0005
3-170-12-0006	36" Arched Valance Canopy Hood Front - Hard Maple	3-223-35-0006
3-170-03-0006	36" Arched Valance Canopy Hood Front - Cherry	3-223-35-0006
3-170-01-0006	36" Arched Valance Canopy Hood Front - Red Oak	3-223-35-0006

Ventilation Units, Liners, & Accessories

Kitchen Aire HVC 212 CFM Vent - Starmist

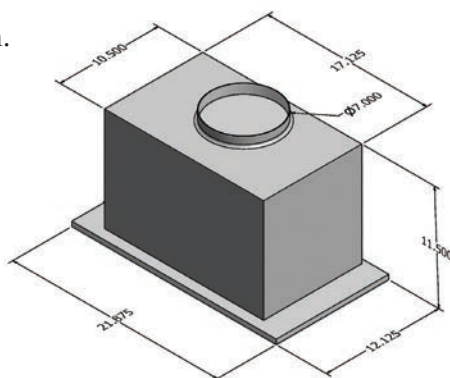
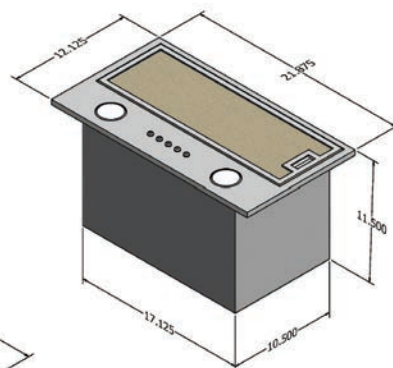
230 CFM/7.7 sones -
 Two speed motor with rocker control.
 Halogen lighting - PAR 20
 UL and HVI approved.
 Pre-wired for electrical connection.
 Ductless conversion kit available.
 Light bulbs included.



Part Number	Description
3-227-35-0001	Kitchen-Aire HVC 212 Blower - Starmist finish
3-224-35-0001	HVC Ductless conversion kit

Kitchen Aire HVD 410 CFM Vent - Starmist

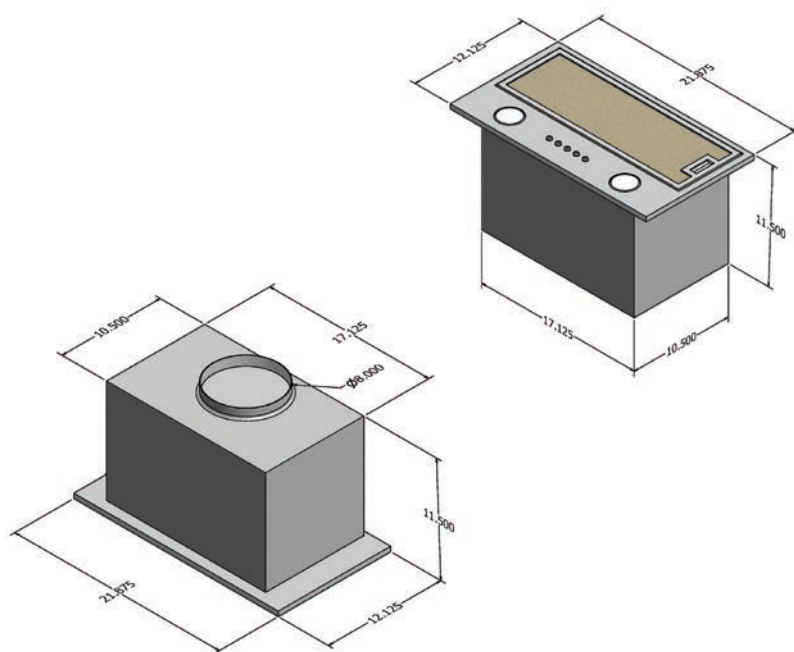
490 CFM/7.0 sones -
 Three speed motor with push button
 electronic control.
 Halogen lighting - PAR 20
 UL and HVI approved.
 Pre-wired for electrical connection.
 Ductless conversion kit available.
 Light bulbs included.



Part Number	Description
3-228-35-0001	Kitchen-Aire HVD 410 Blower - Starmist finish
3-224-35-0002	HVD Ductless conversion kit

Kitchen Aire HVE 620 CFM Vent - Starmist

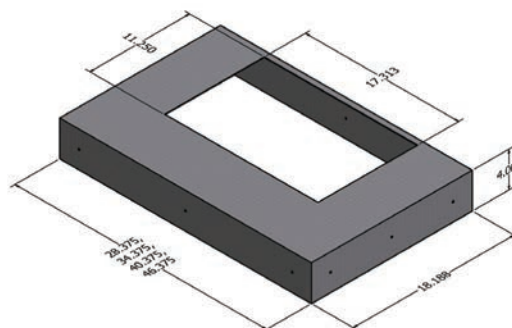
620 CFM/7.5 sones-
 Three speed motor with
 push button electronic control.
 Halogen lighting - PAR 20
 UL and HVI approved.
 Pre-wired for electrical connection.
 Light bulbs included.



Part Number	Description
3-229-35-0001	Kitchen-Aire HVE 620 Blower - Starmist finish

Square Liner

Liners available for use in all
 Kitchen-Aire ventilation systems.
 Starmist finish.
 Easy installation.
 Liner accepts HVC, HVD, &
 HVE Ventilation systems.



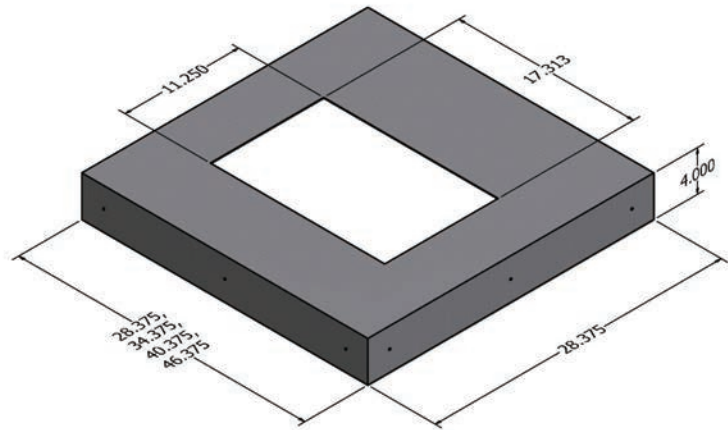
Part Number	Description
3-223-35-0001	30" Square Liner - Starmist finish
3-223-35-0002	36" Square Liner - Starmist finish
3-223-35-0003	42" Square Liner - Starmist finish
3-223-35-0004	48" Square Liner - Starmist finish

Liners available for use in island hood Kitchen-Aire ventilation systems.

Starmist finish.

Easy installation.

Liner accepts HVC, HVD, & HVE Ventilation systems.



Part Number	Description
3-223-35-0007	30" Square Liner - Island - Starmist finish
3-223-35-0008	36" Square Liner - Island - Starmist finish
3-223-35-0009	42" Square Liner - Island - Starmist finish
3-223-35-0010	48" Square Liner - Island - Starmist finish

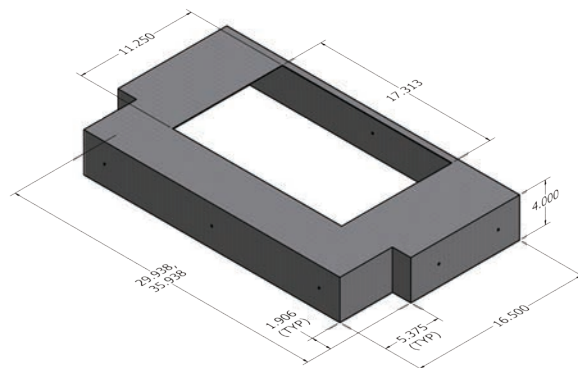
T-Shape Liner

Liners available for use in all Kitchen-Aire ventilation systems.

Starmist finish.

Easy installation.

Liner accepts HVC, HVD, & HVE Ventilation systems.



Part Number	Description
3-223-35-0005	30" T-Shape Liner - Starmist finish
3-223-35-0006	36" T-Shape Liner - Starmist finish



Kitchen-Aire